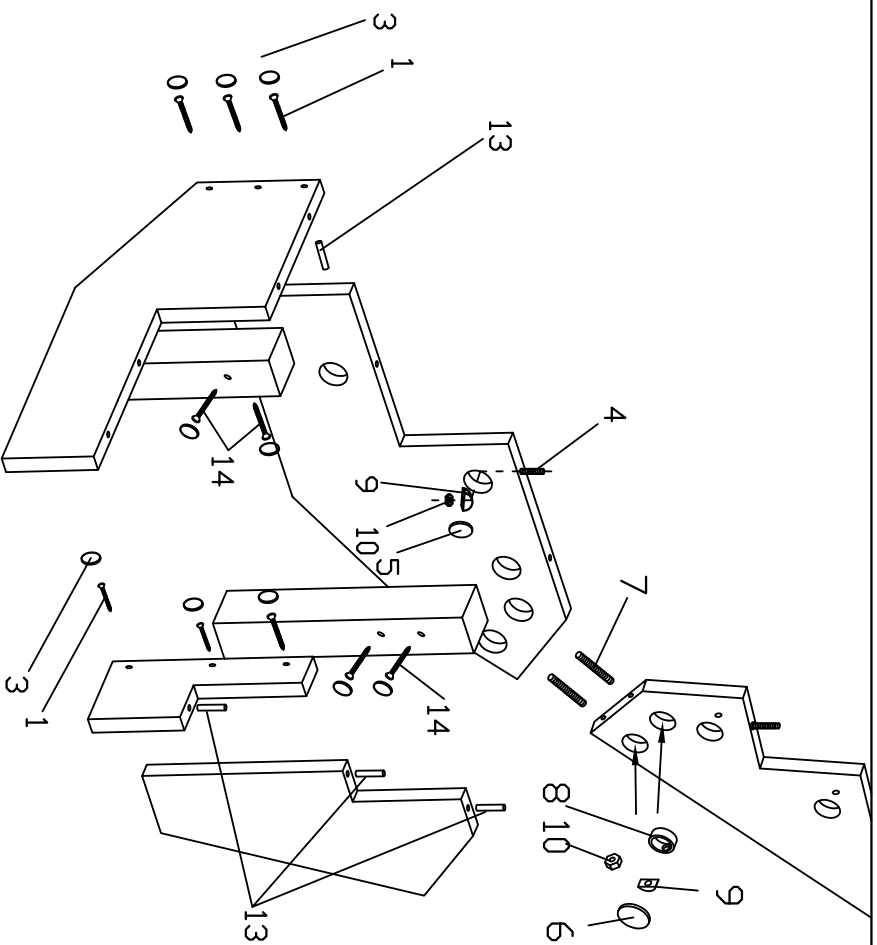


1.  $\varnothing 5 \times 60 = 24$
2.  $\varnothing 4 \times 45 = 24$
3.  $\varnothing = 48$
4.  $M8 \times 70 = 24$
5.  $\varnothing 40 = 24$
6.  $\varnothing 50 = 8$

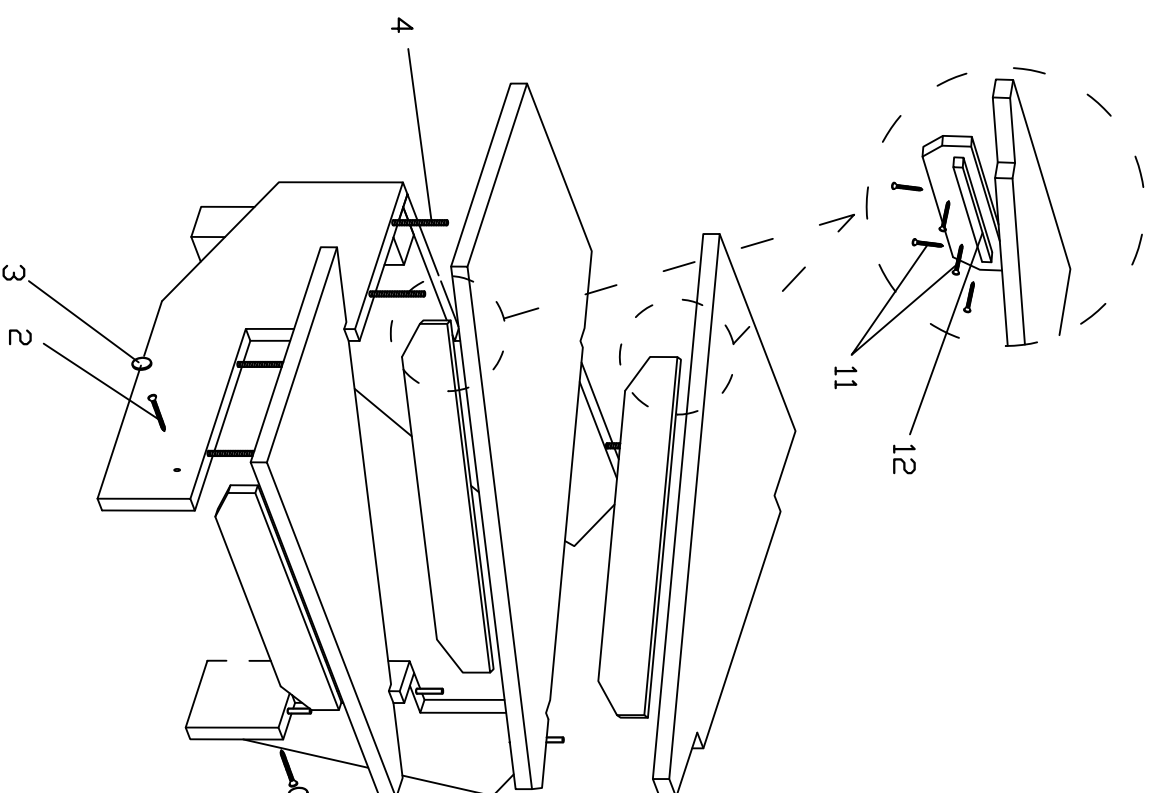
7.  $M8 \times 160 = 4$
8.  $\varnothing = 8$
9.  $\varnothing = 32$
10.  $M8 = 32$

**DELTA 85 /100 SCARA CU TURNANTA**

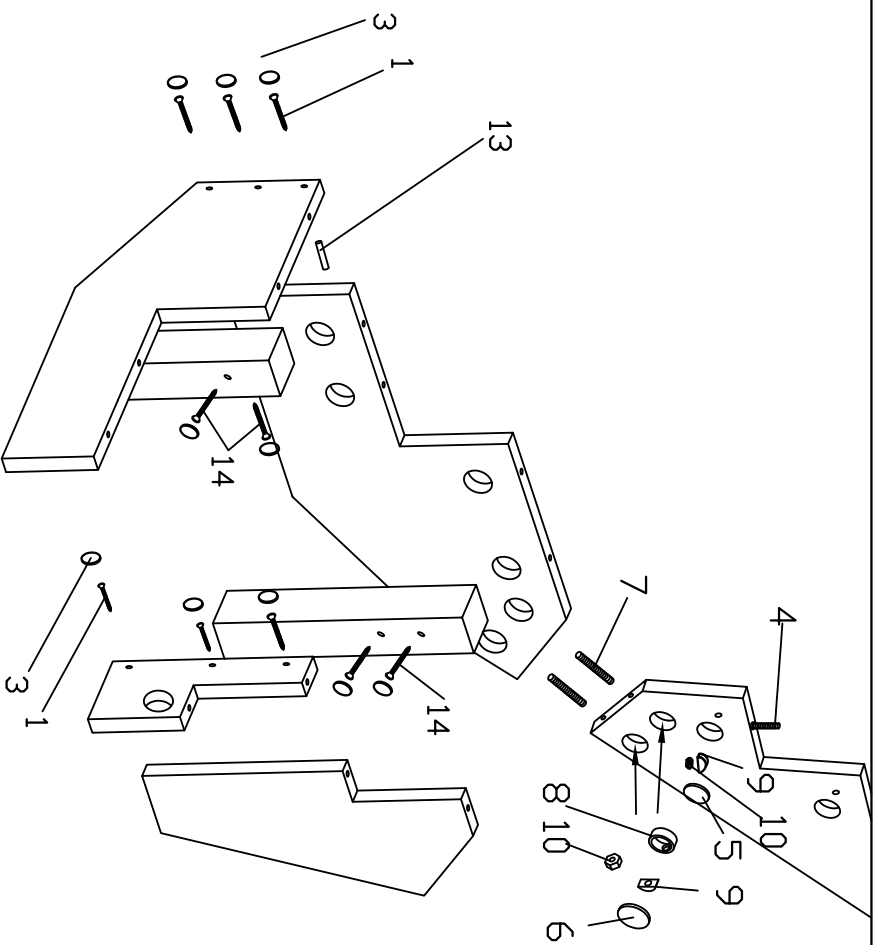


1.  $\varnothing 5 \times 60 = 6$
2.  $\varnothing 4 \times 45 = 2$
3.  $\varnothing = 12$
4.  $M8 \times 70 = 7$
5.  $\varnothing 40 = 7$
6.  $\varnothing 50 = 8$
7.  $M8 \times 160 = 4$
8.  $\varnothing = 8$

9.  $\varnothing = 15$
10.  $M8 = 15$
11.  $\varnothing 4 \times 25 = 10$
12.  $= 2$
13.  $= 5$
14.  $\varnothing 6 \times 90 = 4$

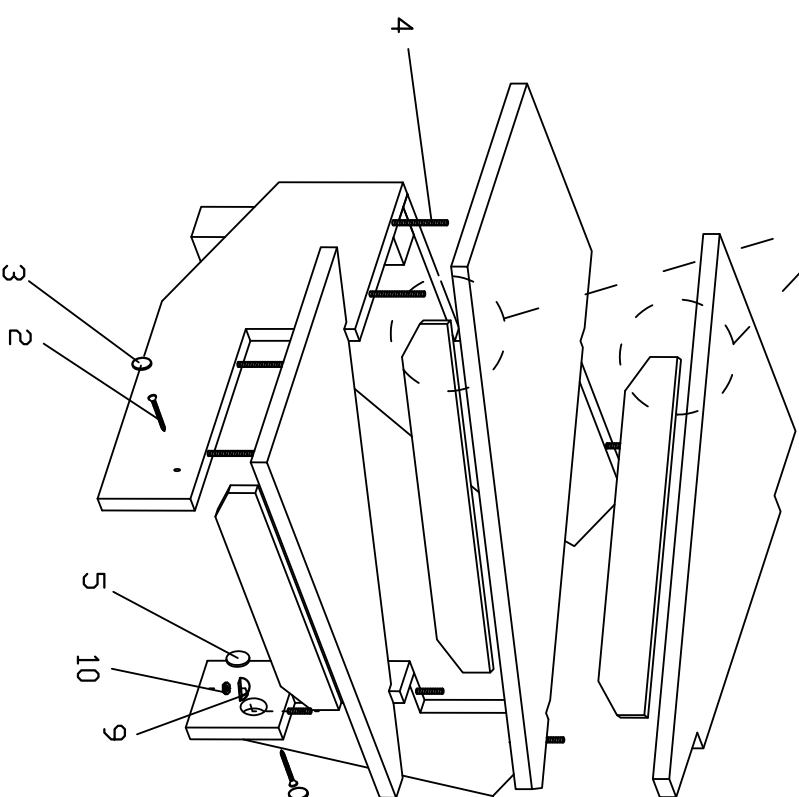
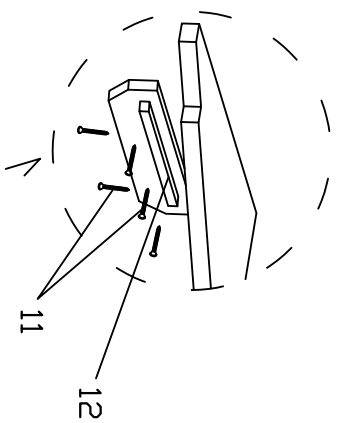


## DELTA 85 TURNANTA



1.  $\varnothing 5 \times 60 = 6$
2.  $\varnothing 4 \times 45 = 2$
3.  $0 = 12$
4.  $M8 \times 70 = 11$
5.  $\varnothing 40 = 11$
6.  $\varnothing 50 = 8$
7.  $M8 \times 160 = 4$
8.  $\text{Ø} = 8$

9.  $\text{Ø} = 19$
10.  $M8 = 19$
11.  $\varnothing 4 \times 25 = 10$
12.  $= 2$
13.  $= 2$
14.  $\varnothing 6 \times 90 = 4$



## DELTA 100 TURNANTA